

1) Display and control panel



Basic features

| | |
|------------------------|--|
| Approval/Conformity | CE WEEE UKCA cULus |
| Certification type | UL Listed |
| Data storage | 8 GB EMMC |
| Operating system | Linux |
| Supported web browsers | Google Chrome Mozilla Firefox Microsoft Edge |
| Working memory | 2 GB RAM |

Display/Operation

| | |
|--------------------|---------------------------------------|
| Function indicator | LED 0: green/red LED 1: yellow/red |
| Power (ON) | LED green: Power |

Electrical connection

| | |
|------------------|---|
| Connection slots | 2x LAN: RJ45-Female, 8-pin 4x IO-Link: M8x1-Female, 4-pin, A-coded PWR: Phoenix MC1.5/3-STF-3.81 USB: USB 2.0 Standard-A |
| shielded | No |

Electrical data

| | |
|--------------------------------|-------------|
| Input current max. at 24 V | 180 mA |
| Load current max. IO-Link port | 500 mA |
| Nominal voltage | 24 VDC |
| Operating voltage U_b | 20...30 VDC |

Environmental conditions

| | |
|---------------------|-------------|
| Ambient temperature | -20...60 °C |
| IP rating | IP20 |
| Storage temperature | -20...60 °C |

Interface

| | |
|----------------------|---|
| Auxiliary interfaces | 2x Ethernet TCP/IP 4x IO-Link USB 2.0 |
| Conformity class | B |
| IO-Link function | Master |
| IO-Link version | 1.1 |
| Port-class | Type A |
| Transfer rate | 10/100 Mbit/s |

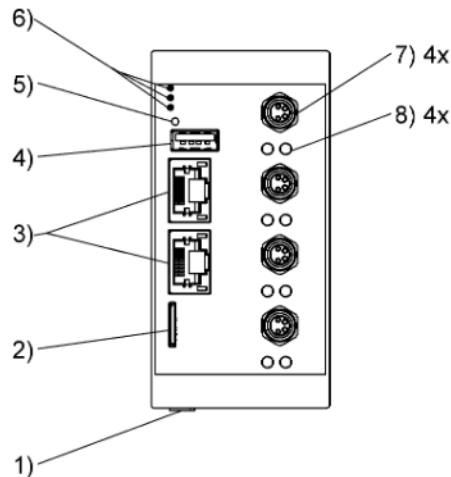
Material

| | |
|------------------|----|
| Housing material | PA |
|------------------|----|

Mechanical data

| | |
|---------------|-------------------|
| Dimension | 101 x 126 x 50 mm |
| Mounting part | DIN rail |
| Style | Two-row |

Help Views



- 1) Power supply
- 2) SD card slot
- 3) LAN interfaces
- 4) USB interface
- 5) Pushbutton
- 6) Status LEDs
- 7) IO-Link Ports
- 8) Port LEDs